

Sheet: AXP203_PMU

- ▷VBAT
- ▷VBUS
- ▷DCIN
- ▷VIN
- ◇GPIO3
- ◇GPIO2
- ◇GPIO1
- ◇GPIO0
- ▷PWROK
- ▷N_OE
- ▷PWRON
- ▷EXTEN
- ▷I2C_SCL
- ◇I2C_SDA
- ◇NMI_IRQ
- ▷GND

- LD01_VOUTD
- IPS_VOUTD
- LD02_VOUTD
- LD04_VOUTD
- LD03_VOUTD
- DCDC3_VOUTD
- DCDC2_VOUTD

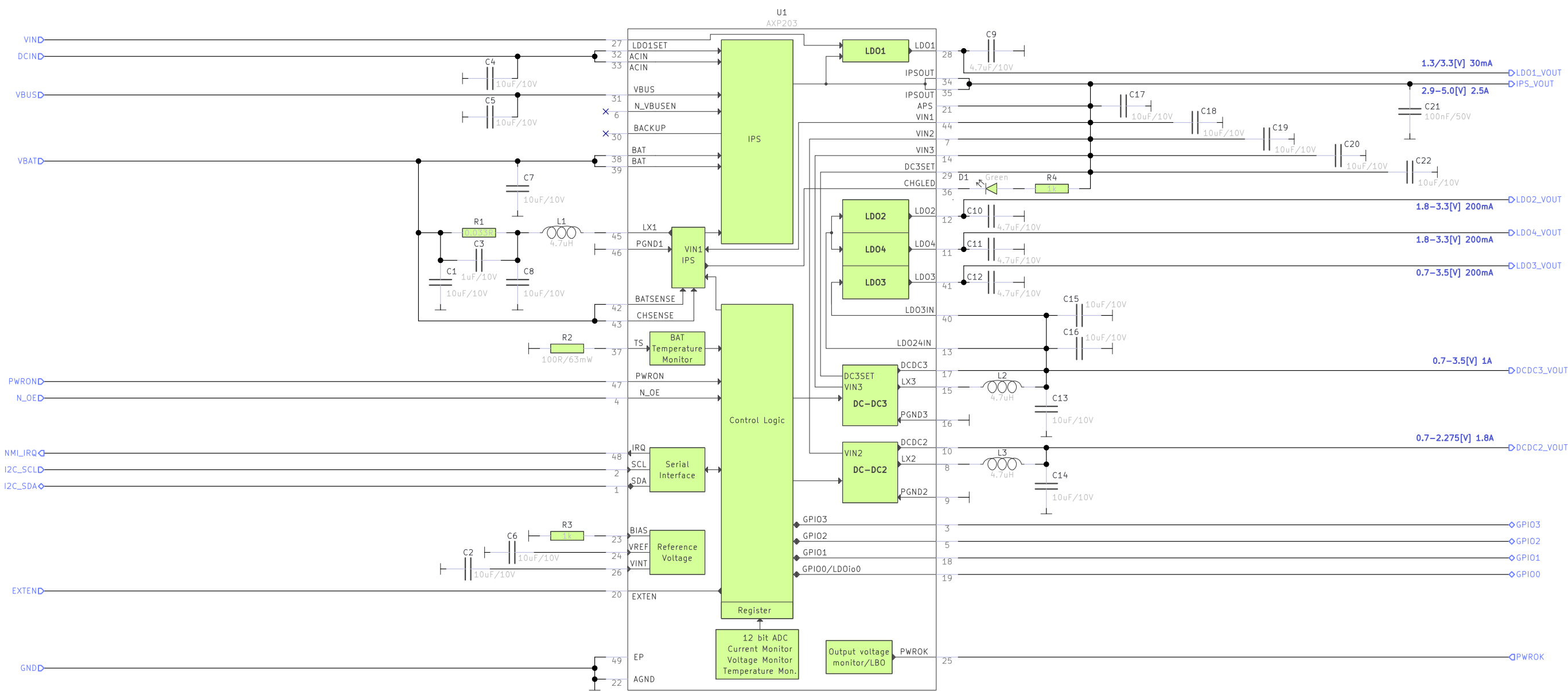
File: axp203_pmu.sch

Embedded System Labs

Sheet: /
File: axp203_pmu_kicad.sch

Title: AXP203 PMU Hierarchical Sheet Symbol

Size: A3	Date: 2020-05-14	Rev: V1.0
KiCad E.D.A. kicad 5.1.6-c6e7f7d86ubuntu18.04.1		Id: 1/2



General Note:
All output voltages are configurable